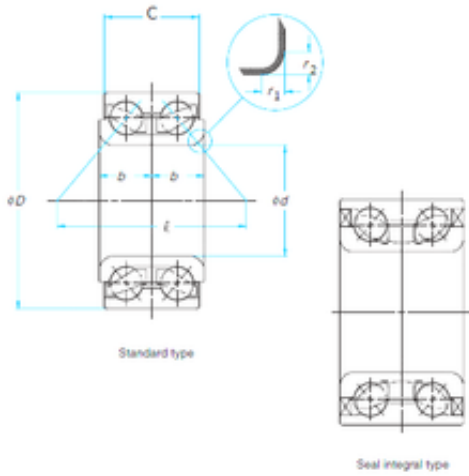




NTK BEARING PRECISION AXLE CORP.



43 mm x 79 mm x 41 mm FAG SA0030 angular contact ball bearings

Bearing No. SA0030

Size	43x79x41 mm
Bore Diameter	43 mm
Outer Diameter	79 mm
Width	41 mm
d	43 mm
D	79 mm
B	41 mm
C	38 mm

SA0030 Bearing 2D drawings and 3D CAD models