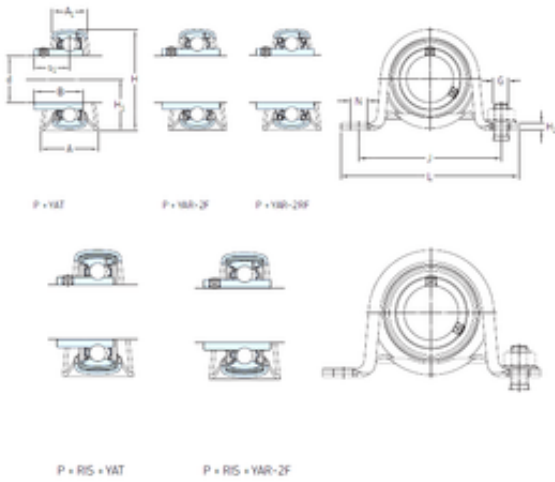




NTK BEARING PRECISION AXLE CORP.



SKF P 62 R-25 WF bearing units

Bearing No. P 62 R-25 WF

Bore Diameter	25 mm
d	25 mm
s1	26,9 mm
A	38 mm
A1	25 mm
B1	44,4 mm
G	10 mm
H	66 mm
H1	32,9 mm
H2	4 mm
J	95 mm
L	119 mm
N	11,2 mm
Weight	0,44 Kg
Basic dynamic load rating (C)	14 kN
Basic static load rating (C0)	7,8 kN
Housing material	Pressed steel
A ₁	25 mm
B ₁	44.4 mm
H ₁	33 mm
H ₂	4 mm
s ₁	26.9 mm
Basic dynamic load rating C	14 kN
Basic static load rating C ₀	7.8 kN
Fatigue load limit P _u	0.335 kN
Permissible radial housing	2.6 kN

P 62 R-25 WF Bearing 2D drawings and 3D CAD models



NTK BEARING PRECISION AXLE CORP.

load max.	
Limiting speed	7000 r/min
Mass bearing unit	0.44 kg
Thread grub screw G ₂	M6x0.75
Hexagonal key size for grub screw N	3 mm
Recommended tightening torque for grub screw	4 N · m
Recommended diameter for attachment bolts, mm G	10 mm
Recommended diameter for attachment bolts, inch G	0.375 in