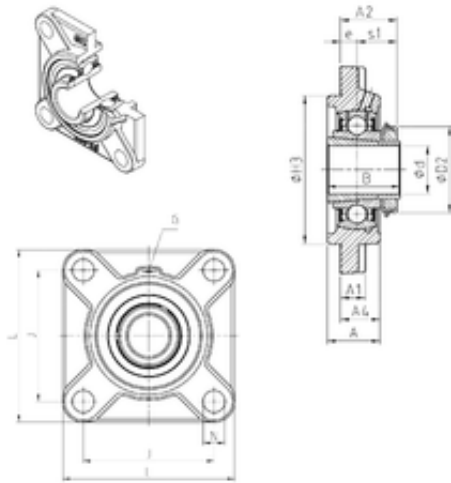




# NTK BEARING PRECISION AXLE CORP.



## SNR UKFS306H bearing units

Bearing No. UKFS306H

Bore Diameter	25 mm
d	25 mm
H3	90 mm
A4	24 mm
e	10 mm
s1	23 mm
A	32 mm
A1	15 mm
B	38 mm
D2	45 mm
J	95 mm
L	125 mm
N	16 mm
Thread (G)	M6x1
A2	33 mm
Weight	1,8 Kg
Basic dynamic load rating (C)	27 kN

UKFS306H Bearing 2D drawings and 3D CAD models