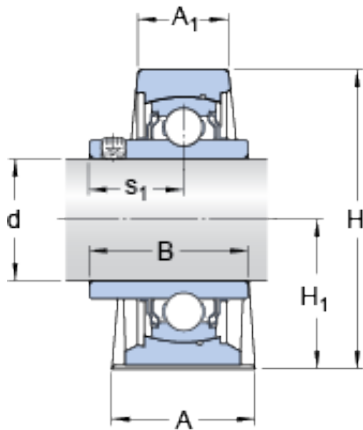




NTK BEARING PRECISION AXLE CORP.



SY 55 TF/VA201 Bearing 2D drawings and 3D CAD models

SKF SY 55 TF/VA201 bearing units

Bearing No. SY 55 TF/VA201

Size	60.4x55x40 mm
Bore Diameter	60,4 mm
Outer Diameter	55 mm
Width	40 mm
d	55 mm
A	60.4 mm
A ₁	40 mm
H	127 mm
H ₁	63.5 mm
H ₂	23.8 mm
L	219.1 mm
J	171.5 mm
H	27.5 mm
N ₁	18 mm
B	55.6 mm
s ₁	33.4 mm
Basic dynamic load rating - C	43.6 kN
Basic static load rating - C ₀	29 kN
Limiting speed	50 r/min
Limiting temperature - T	250 ° C
Mass bearing unit	3.59 kg
Grub (set) screw - G ₂	M10x1
Hexagonal key size for grub screw - H	5 mm
Recommended tightening	16.5 N · m



NTK BEARING PRECISION AXLE CORP.

torque for grub screw	
Category	Bearings
Inventory	0.0
Manufacturer Name	SKF
Minimum Buy Quantity	N/A
Weight / Kilogram	0
Product Group	M06110
A ₁	40 mm
H ₁	63.5 mm
H ₂	23.8 mm
N	27.5 mm
N ₁	18 mm
s ₁	33.4 mm
Basic dynamic load rating C	43.6 kN
Basic static load rating C ₀	29 kN
Limiting temperature T max.	250 ° C
Grub (set) screw G ₂	M10x1
Hexagonal key size for grub screw N	5 mm
Attachment bolts, recommended metric size G	16 mm
Bearing	YAR 211-2FW/VA201