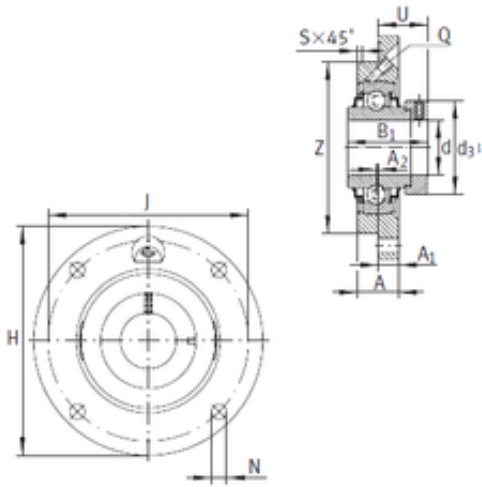




# NTK BEARING PRECISION AXLE CORP.



RME0100 Bearing 2D drawings and 3D CAD models

## INA RME0100 bearing units

Bearing No. RME0100

Bore Diameter	100 mm
d	100 mm
U	68,5 mm
Thread (Q)	Rp1/8
Z	250 mm
d3	145 mm
A	57 mm
A1	27 mm
B1	109,4 mm
H	340 mm
J	295 mm
N	26 mm
S	8 mm
A2	1,5 mm
Weight	22,3 Kg
Basic dynamic load rating (C)	174 kN
Category	Flange Block Bearings
Inventory	0.0
Manufacturer Name	SCHAEFFLER GROUP
Minimum Buy Quantity	N/A
Weight / Kilogram	25.607
EAN	4012802133950
Product Group	M06110
Number of Mounting Holes	4
Mounting Method	Eccentric Collar
Housing Style	4 Bolt Round Flange



## NTK BEARING PRECISION AXLE CORP.

	Cartridge
Rolling Element	Ball Bearing
Housing Material	Cast Iron
Expansion / Non-expansion	Non-expansion
Mounting Bolts	26 Millimeter
Relubricatable	Yes
Insert Part Number	GNE100KRRB-FA107
Seals	Double Land Riding Rubber Contact
Housing Configuration	1 Piece Solid
Pilot Configuration	With Pilot
Inch - Metric	Metric
Long Description	4 Bolt Round Flange Cartridge; 100MM Bore; 295MM Bolt Circle; 208.6MM Bolt Spacing; 1 Piece Solid; Eccentric Collar Mount; Cast Iron; Ball Bearing; 109.4MM Length Thru Bore; Relubricatable; Double Lan
Other Features	Single Row   Centering Spigot   With Set Screw
Category	Flange Block
UNSPSC	31171501
Harmonized Tariff Code	8483.20.40.40
Noun	Bearing
Keyword String	Flanged
Manufacturer URL	<a href="http://www.ina.com">http://www.ina.com</a>
Manufacturer Item Number	RMEO100
Weight / LBS	49.163
Cartridge Pilot Depth	0.866 Inch   22 Millimeter
Cartridge Pilot Diameter	9.843 Inch   250 Millimeter
Bore	3.937 Inch   100 Millimeter
Bolt Spacing	8.2 Inch   208.6 Millimeter



## NTK BEARING PRECISION AXLE CORP.

Nominal Bolt Circle Diameter Round	11.6 Inch   295 Millimeter
Length Thru Bore	4.307 Inch   109.4 Millimeter