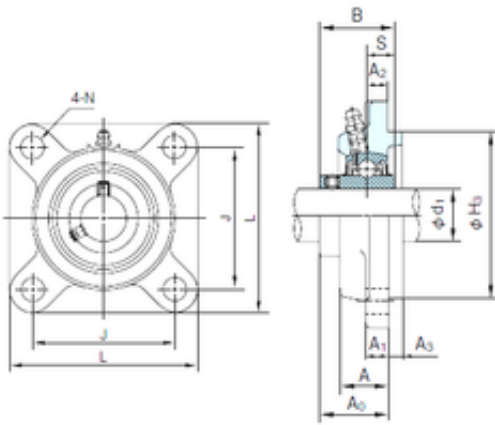




NTK BEARING PRECISION AXLE CORP.

NACHI UCFS318 bearing units

Bearing No. UCFS318



UCFS318 Bearing 2D drawings and 3D CAD models

Bore Diameter	90 mm
d1	90 mm
H3	240 mm
A0	80 mm
A	56 mm
A1	30 mm
B	96 mm
J	216 mm
L	280 mm
N	35 mm
S	40 mm
Bolt (G)	M30
A2	24 mm
A3	20 mm