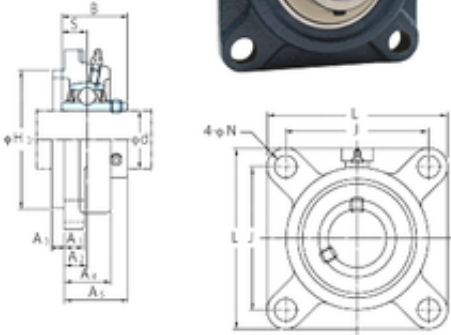




NTK BEARING PRECISION AXLE CORP.

FYH UCFS328 bearing units

Bearing No. UCFS328



UCFS328 Bearing 2D drawings and 3D CAD models

Bore Diameter	140 mm
d	140 mm
H3	400 mm
A4	95 mm
A5	131 mm
A1	55 mm
B	145 mm
J	350 mm
L	450 mm
N	41 mm
S	59 mm
Bolt (G)	M36
A2	45 mm
A3	30 mm
Weight	94 Kg
Basic dynamic load rating (C)	253 kN
Basic static load rating (C0)	246 kN