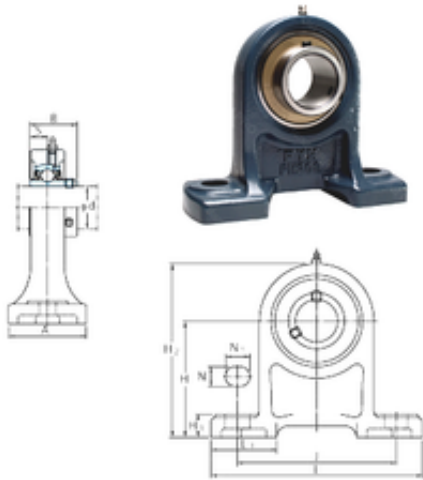




# NTK BEARING PRECISION AXLE CORP.

## FYH UCPH210 bearing units



Bearing No. UCPH210

Bore Diameter	50 mm
Width	51,6 mm
d	50 mm
A	70 mm
B	51,6 mm
H	110 mm
H1	22 mm
H2	165 mm
J	159 mm
L	206 mm
L1	65 mm
N	20 mm
N1	22 mm
S	19 mm
Bolt (G)	M16
Weight	3,5 Kg
Basic dynamic load rating (C)	35,1 kN
Basic static load rating (C0)	23,3 kN

UCPH210 Bearing 2D drawings and 3D CAD models