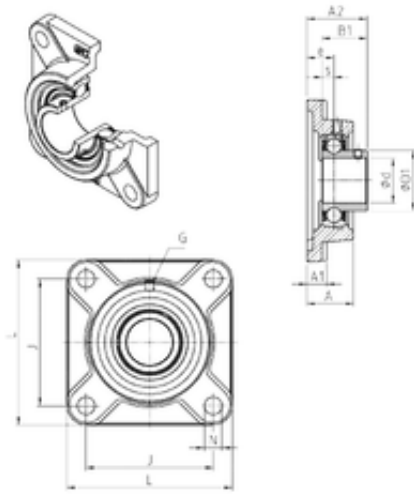




NTK BEARING PRECISION AXLE CORP.



SNR USF210 bearing units

Bearing No. USF210

Bore Diameter	50 mm
d	50 mm
e	22 mm
s	10,9 mm
A	40 mm
A1	16 mm
B1	43,5 mm
D1	61,8 mm
J	111 mm
L	143 mm
N	16 mm
Thread (G)	M6x1
A2	54,6 mm
Weight	2,5 Kg
Basic dynamic load rating (C)	35,1 kN

USF210 Bearing 2D drawings and 3D CAD models