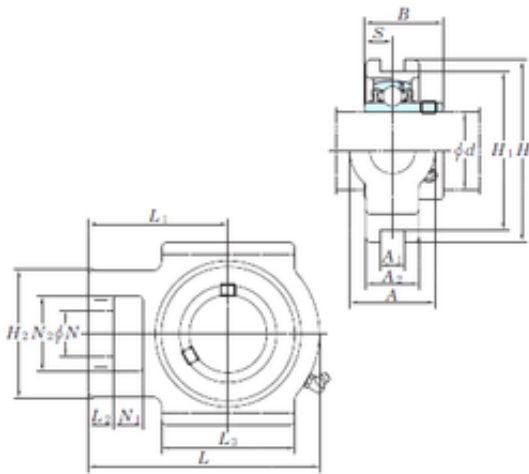




NTK BEARING PRECISION AXLE CORP.



KOYO UCTX06-19E bearing units

Bearing No. UCTX06-19E

Bore Diameter	30,1625 mm
d	30,1625 mm
L2	13 mm
L3	64 mm
A	37 mm
A1	13,5 mm
B	42,9 mm
H	102 mm
H1	88,9 mm
H2	64 mm
L	129 mm
L1	78 mm
N	22 mm
N1	16 mm
S	17,5 mm
A2	30 mm
N2	37 mm
Weight	1,7 Kg
Basic dynamic load rating (C)	25,7 kN
Basic static load rating (C0)	15,4 kN

UCTX06-19E Bearing 2D drawings and 3D CAD models