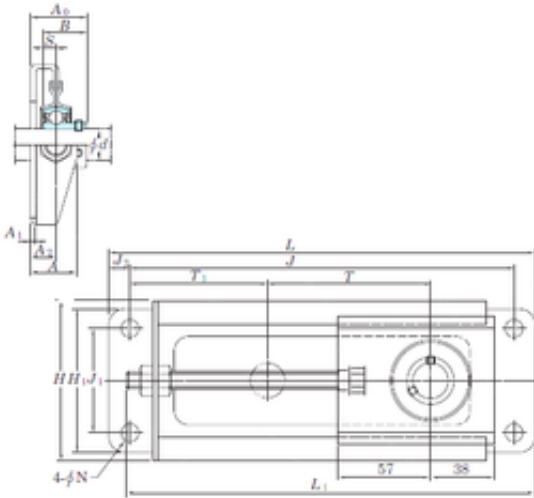




NTK BEARING PRECISION AXLE CORP.

KOYO SBNPTH203-100 bearing units

Bearing No. SBNPTH203-100



SBNPTH203-100 Bearing 2D drawings and 3D CAD models

Bore Diameter	17 mm
Width	83,5 mm
d	17 mm
A0	31 mm
T1	83,5 mm
A	27 mm
A1	3,2 mm
B	22 mm
H	100 mm
H1	90 mm
J	235 mm
L	260 mm
L1	246 mm
N	11 mm
S	6 mm
T	100 mm
Bolt (G)	M8
A2	15 mm
J1	65 mm
J2	12,5 mm
Weight	0,93 Kg
Basic dynamic load rating (C)	9,55 kN
Basic static load rating (C0)	4,8 kN