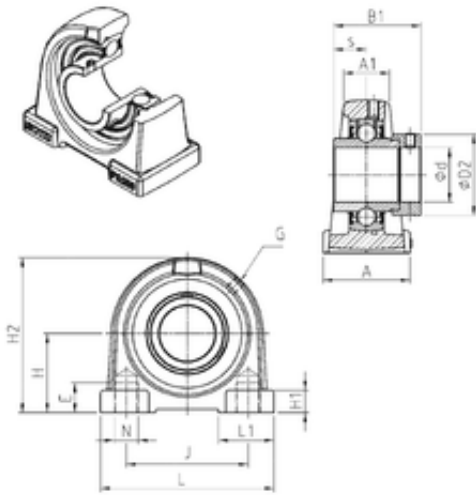




# NTK BEARING PRECISION AXLE CORP.

## SNR EXPA203 bearing units

Bearing No. EXPA203



EXPA203 Bearing 2D drawings and 3D CAD models

Bore Diameter	17 mm
d	17 mm
s	17 mm
A	40 mm
A1	22 mm
B1	43,5 mm
D2	33,3 mm
E	13 mm
H	30,2 mm
H1	11 mm
H2	62 mm
J	52 mm
L	76 mm
L1	22 mm
Thread (G)	M6x1
Thread (N1)	M10
Weight	0,6 Kg
Basic dynamic load rating (C)	12,8 kN