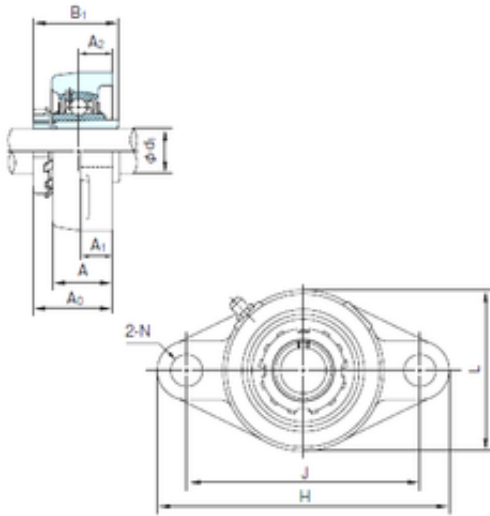




NTK BEARING PRECISION AXLE CORP.

NACHI UKFLX09+H2309 bearing units

Bearing No. UKFLX09+H2309



UKFLX09+H2309 Bearing 2D drawings and 3D CAD models

Bore Diameter	40 mm
d1	40 mm
A0	49.5 mm
A	40 mm
A1	14 mm
B1	50 mm
H	189 mm
J	157 mm
L	116 mm
N	16 mm
Bolt (G)	M14
A2	23 mm