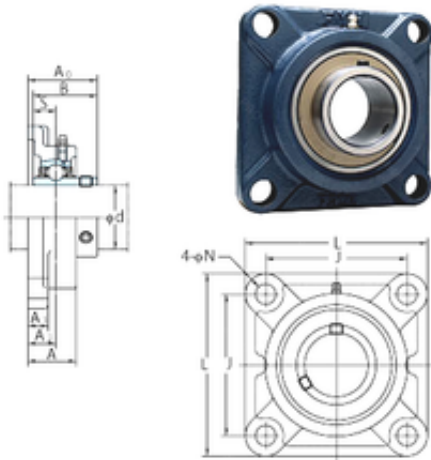




# NTK BEARING PRECISION AXLE CORP.

## FYH UCF216 bearing units



Bearing No. UCF216

Bore Diameter	80 mm
d	80 mm
A0	83,3 mm
A	58 mm
A1	22 mm
B	82,6 mm
J	165 mm
L	208 mm
N	23 mm
S	33,3 mm
Bolt (G)	M20
A2	34 mm
Weight	7,3 Kg
Basic dynamic load rating (C)	72,7 kN
Basic static load rating (C0)	53 kN
Category	Mounted Units & Inserts
Inventory	0.0
Manufacturer Name	FYH BEARING UNITS
Minimum Buy Quantity	N/A
Weight / Kilogram	0
Product Group	M06110

UCF216 Bearing 2D drawings and 3D CAD models