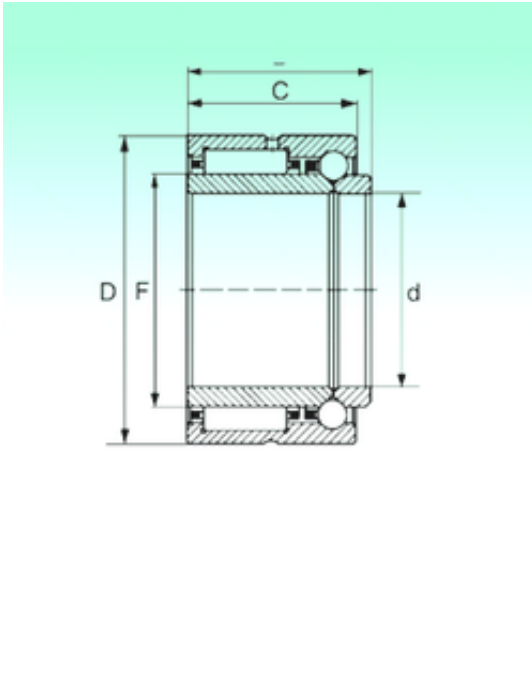




NTK BEARING PRECISION AXLE CORP.



NKIB 59/22 Bearing 2D drawings and 3D CAD models

22 mm x 39 mm x 25 mm NBS NKIB 59/22 complex bearings

Bearing No. NKIB 59/22

Size	22x39x25 mm
Bore Diameter	22 mm
Outer Diameter	39 mm
Width	25 mm
d	22 mm
F	28 mm
D	39 mm
B	25 mm
C	23 mm
Weight	0,122 Kg
Dynamic load rating radial (C)	21,66 kN
Dynamic load rating axial (C)	4,038 kN
Static load rating radial (C0)	28 kN
Static load rating axial (C0)	5,32 kN