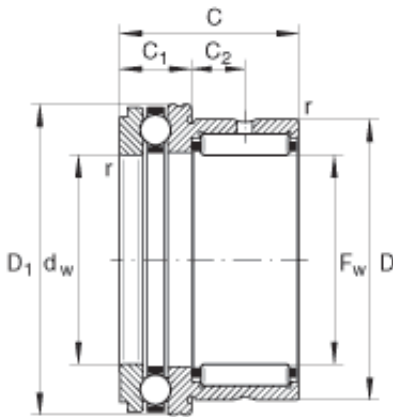




NTK BEARING PRECISION AXLE CORP.



INA NKX10-TV complex bearings

Bearing No. NKX10-TV

Size	10x19x23 mm
Bore Diameter	10 mm
Outer Diameter	19 mm
Width	23 mm
F_w	10 mm
D	19 mm
C - 23 mm / Tolerance: -0,25	23 mm / Tolerance: 0,25
C_1 - 9 mm / Tolerance: -0,2	9 mm / Tolerance: 0,2
C_2	6,5 mm
$D_{1 \max}$	24,1 mm
d_a	19,7 mm
d_w	10 mm / Tolerance: E8
$r_{a \max}$	0,3 mm
r_{\min}	0,3 mm
	NAXK10TN / Designation to DIN 5429
m	34 g / Weight
C_r	7000 N / Dynamic load rating (radial)
C_{0r}	7800 N / Static load rating (radial)
C_a	10000 N / Dynamic load rating (axial)
C_{0a}	14000 N / Static load rating (axial)
C_{ur}	1310 N / Fatigue limit load,

NKX10-TV Bearing 2D drawings and 3D CAD models



NTK BEARING PRECISION AXLE CORP.

	radial
C_{ua}	670 N / Fatigue limit load, axial
n_G	12400 1/min / Limiting speed
	IR7X10X16 / Suitable inner ring
Category	Thrust Roller Bearing
Inventory	0.0
Manufacturer Name	SCHAEFFLER GROUP
Minimum Buy Quantity	N/A
Weight / Kilogram	0.041
EAN	4012802732092
Product Group	B00234
Rolling Element	Combination - Needle Roller and Thrust Ball Bearing
Self Aligning	No
Component Description	Roller Assembly plus Raceways
Thrust Bearing	Yes
Single or Double Direction	Single Direction
Banded	No
Cage Material	Polyamide
Precision Class	ABEC 1 ISO P0
Long Description	10MM Bore 1; 10MM Bore 2; 19MM Outside Diameter; 23MM Height; Combination - Needle Roller and Thrust Ball Bearing; Single Direction; Not Self Aligning; Not Banded; Polyamide Cage; ABEC 1 ISO P0; Rol
Inch - Metric	Metric
Category	Thrust Roller Bearings



NTK BEARING PRECISION AXLE CORP.

UNSPSC	31171537
Harmonized Tariff Code	8482.80.00.40
Noun	Bearing
Keyword String	Combination
Manufacturer URL	http://www.ina.com
Manufacturer Item Number	NKX10TN
Weight / LBS	0.075
Bore 1	0.394 Inch 10 Millimeter
Overall Height with Aligning Washer	0 Inch 0 Millimeter
Bore 2	0.394 Inch 10 Millimeter
Outside Diameter	0.748 Inch 19 Millimeter
Height	0.906 Inch 23 Millimeter