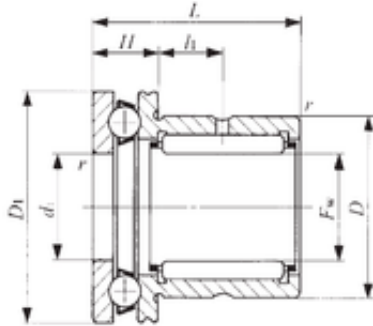




# NTK BEARING PRECISION AXLE CORP.

## IKO NAX 3530Z complex bearings



Bearing No. NAX 3530Z

Bore Diameter	35 mm
Outer Diameter	47 mm
Fw	35 mm
D	47 mm
D1	52 mm
D2	53 mm
d1	35 mm
r min.	0,6 mm
H	12 mm
L	30 mm
L1	9 mm
da min.	45 mm
Weight	0,176 Kg
Dynamic load rating radial (C)	26,9 kN
Dynamic load rating axial (C)	21,2 kN
Static load rating radial (C0)	46,2 kN
Static load rating axial (C0)	37,6 kN

NAX 3530Z Bearing 2D drawings and 3D CAD models