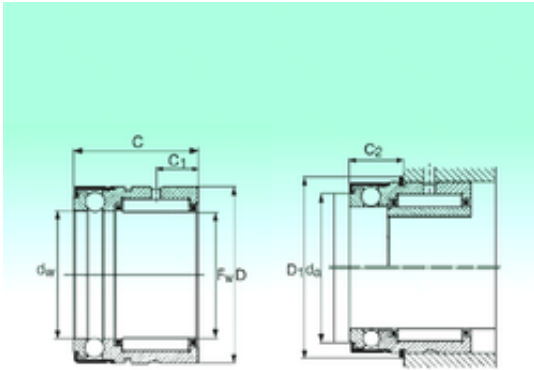




# NTK BEARING PRECISION AXLE CORP.



## NBS NX 17 Z complex bearings

Bearing No. NX 17 Z

Size	17x26x28 mm
Bore Diameter	17 mm
Outer Diameter	26 mm
Width	28 mm
d	17 mm
Fw	0,053 mm
D	26 mm
C	28 mm
C1	8 mm
D1	28,5 mm
C2	12,2 mm
da	21 mm
Dynamic load rating radial (C)	11 kN
Dynamic load rating axial (C)	6,1 kN
Static load rating radial (C0)	14 kN
Static load rating axial (C0)	11,5 kN

NX 17 Z Bearing 2D drawings and 3D CAD models