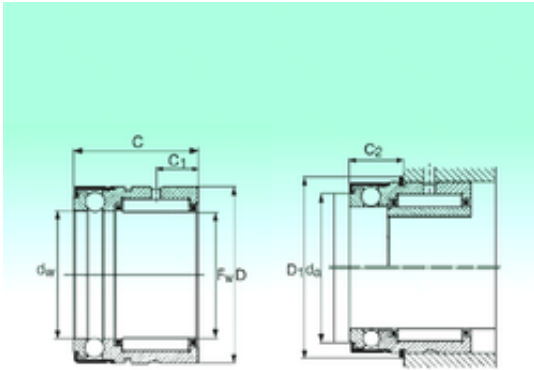




# NTK BEARING PRECISION AXLE CORP.



## NBS NX 35 Z complex bearings

Bearing No. NX 35 Z

|                                |             |
|--------------------------------|-------------|
| Size                           | 35x47x30 mm |
| Bore Diameter                  | 35 mm       |
| Outer Diameter                 | 47 mm       |
| Width                          | 30 mm       |
| d                              | 35 mm       |
| Fw                             | 0,16 mm     |
| D                              | 47 mm       |
| C                              | 30 mm       |
| C1                             | 10 mm       |
| D1                             | 50,1 mm     |
| C2                             | 14,2 mm     |
| da                             | 40,5 mm     |
| Dynamic load rating radial (C) | 23 kN       |
| Dynamic load rating axial (C)  | 13 kN       |
| Static load rating radial (C0) | 40 kN       |
| Static load rating axial (C0)  | 34 kN       |

NX 35 Z Bearing 2D drawings and 3D CAD models