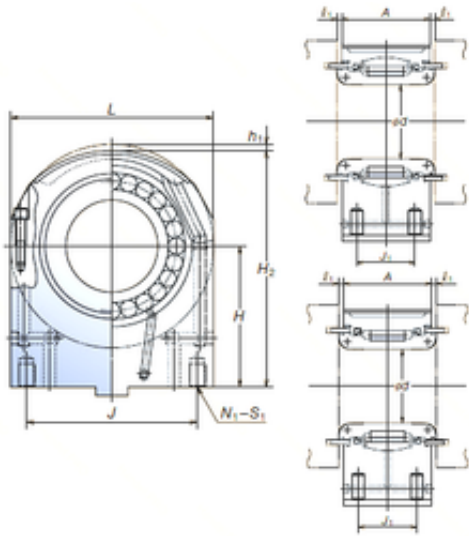




NTK BEARING PRECISION AXLE CORP.

NSK 180PCR3301 cylindrical roller bearings



Bearing No. 180PCR3301

Bore Diameter	180 mm
d	180 mm
h1	10 mm
A	150 mm
H2	375 mm
J	240 mm
L	335 mm
	10 Tolerance h14
Thread (G)	M30

180PCR3301 Bearing 2D drawings and 3D CAD models