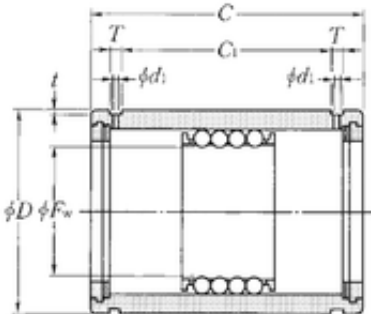




# NTK BEARING PRECISION AXLE CORP.

## NTN KD253745 linear bearings



Bearing No. KD253745

Size	25x37x45 mm
Bore Diameter	25 mm
Outer Diameter	37 mm
Width	45 mm
Fw	25 mm
D	37 mm
C	45 mm
t	0,6 mm
d1	2 mm
C1	35,8 mm
T	2,2 mm
Weight	0,115 Kg
Basic dynamic load rating (C)	1,89 kN

KD253745 Bearing 2D drawings and 3D CAD models