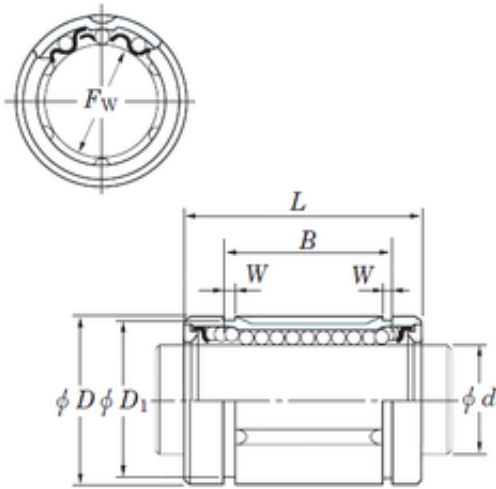




NTK BEARING PRECISION AXLE CORP.



KOYO SDM30 linear bearings

Bearing No. SDM30

Size	30x45x44.5 mm
Bore Diameter	30 mm
Outer Diameter	45 mm
Width	44,5 mm
Fw	30 mm
D	45 mm
B	44,5 mm
D1	43 mm
L	64 mm
W	1,85 mm
Weight	0,25 Kg
Basic dynamic load rating (C)	1470 kN

SDM30 Bearing 2D drawings and 3D CAD models