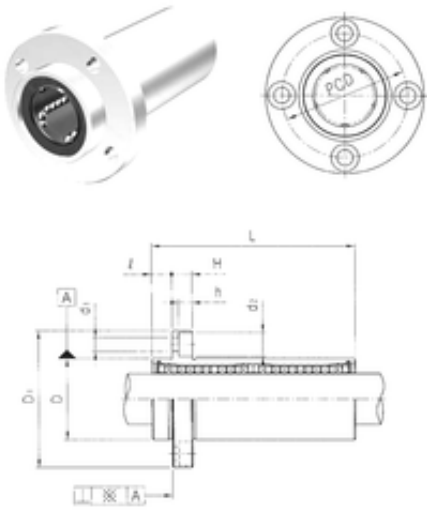




NTK BEARING PRECISION AXLE CORP.



LMEFP12LUU Bearing 2D drawings and 3D CAD models

Samick LMEFP12LUU linear bearings

Bearing No. LMEFP12LUU

Bore Diameter	12 mm
Outer Diameter	22 mm
d	12 mm
D	22 mm
d1	8 mm
d2	4,4 mm
h	6 mm
D1	42 mm
H	32 mm
L	57 mm
PCD	4,5 mm
	6 Tolerance h14
Tolerance perpendicularity (C)	15
Weight	0,1 Kg
Basic dynamic load rating (C)	0,65 kN