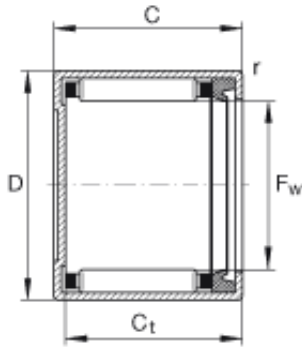




NTK BEARING PRECISION AXLE CORP.



INA BK1414-RS needle roller bearings

Bearing No. BK1414-RS

BK1414-RS Bearing 2D drawings and 3D CAD models

Size	14x20x14 mm
Bore Diameter	14 mm
Outer Diameter	20 mm
Width	14 mm
F_w	14 mm
D	20 mm
C - 14 mm / Tolerance: -0,3	14 mm / Tolerance: 0,3
$C_{t\min}$	11,3 mm
r_{\min}	0,8 mm
m	13 g / Weight
C_r	7100 N / Dynamic load rating (radial)
C_{0r}	8500 N / Static load rating (radial)
C_{ur}	1010 N / Fatigue limit load, radial
$n_{G\text{Fett}}$	12000 1/min / Limiting speed for grease lubrication
Category	Needle Non Thrust Roller Bearings
Inventory	0.0
Manufacturer Name	SCHAEFFLER GROUP
Minimum Buy Quantity	N/A
Weight / Kilogram	0.019
EAN	4012802317497
Product Group	B04144
Rolling Element	Needle Roller Bearing



NTK BEARING PRECISION AXLE CORP.

Component	Roller Assembly with Outer Ring - No Inner Ring
Enclosure	1 Seal
Self Aligning	No
Retainer	Yes
Number of Rows of Rollers	Single Row
Separable	No
Closed End	Yes
Inch - Metric	Metric
Relubricatable	No
Thrust Bearing	No
Long Description	14MM Bore; 20MM Outside Diameter; 14MM Width; Needle Roller Bearing; Roller Assembly with Outer Ring - No Inner Ring; 1 Seal Enclosure; No Self Aligning; Retainer; Single Row of Rollers; No Separable;
Other Features	1 Rib Outer Ring Drawn Cup Bearing Steel Cage
Category	Needle Non Thrust Roller Bearing
UNSPSC	31171512
Harmonized Tariff Code	8482.40.00.00
Noun	Bearing
Keyword String	Needle
Manufacturer URL	http://www.ina.com
Manufacturer Item Number	BK1414RS
Weight / LBS	0.026
Width	0.551 Inch 14 Millimeter
Outside Diameter	0.787 Inch 20 Millimeter
Bore	0.551 Inch 14 Millimeter