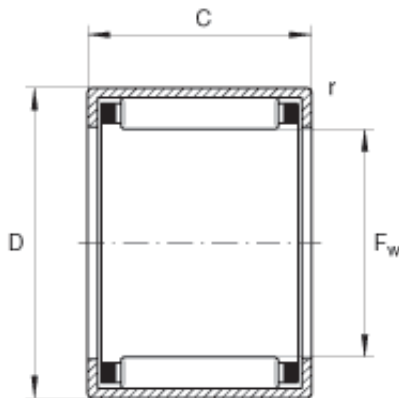




NTK BEARING PRECISION AXLE CORP.



HK1812 Bearing 2D drawings and 3D CAD models

INA HK1812 needle roller bearings

Bearing No. HK1812

Size	18x24x12 mm
Bore Diameter	18 mm
Outer Diameter	24 mm
Width	12 mm
F_w	18 mm
D	24 mm
C - 12 mm / Tolerance: -0,3	12 mm / Tolerance: 0,3
r_{min}	0,8 mm
m	13 g / Weight
C_r	8100 N / Dynamic load rating (radial)
C_{or}	10900 N / Static load rating (radial)
C_{ur}	1300 N / Fatigue limit load, radial
n_G	14000 1/min / Limiting speed
n_B	9800 1/min / Reference speed
	LR15X18X12,5 / Suitable inner ring
Category	Roller Bearings
Inventory	0.0
Manufacturer Name	SCHAEFFLER GROUP
Minimum Buy Quantity	N/A
Weight / Kilogram	0
EAN	4026677167064
Product Group	B04144



NTK BEARING PRECISION AXLE CORP.