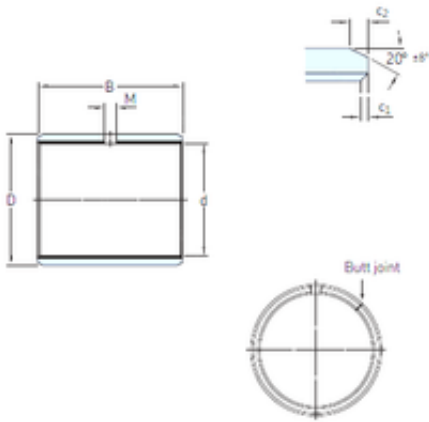




# NTK BEARING PRECISION AXLE CORP.

14 mm x 16 mm x 25 mm SKF PCM 141625 M plain bearings



Bearing No. PCM 141625 M

Size	14x16x25 mm
Bore Diameter	14 mm
Outer Diameter	16 mm
Width	25 mm
d	14 mm
D	16 mm
B	25 mm
c1 min	0,1 mm
c2 min	0,2 mm
M	3 mm
Weight	0,0066 Kg
Basic dynamic load rating (C)	41,5 kN
Category	Bearings
Inventory	0.0
Manufacturer Name	SKF
Minimum Buy Quantity	N/A
Weight / Kilogram	0.007
Product Group	B04264
c <sub>1</sub> min.	0.1 mm
c <sub>1</sub> max.	0.6 mm
c <sub>2</sub> min.	0.2 mm
c <sub>2</sub> max.	1 mm
± 8	20 °
Tolerance shaft	h8
Tolerance housing	H7

PCM 141625 M Bearing 2D drawings and 3D CAD models



## NTK BEARING PRECISION AXLE CORP.

Basic dynamic load rating - radial direction C	41.5 kN
Basic static load rating - radial direction C <sub>0</sub>	88 kN
Specific dynamic load factor K	120 N/mm <sup>2</sup>
Specific static load factor K <sub>0</sub>	250 N/mm <sup>2</sup>
Factor depending on material and bearing type K <sub>M</sub>	1900
Permissible sliding velocity v min.	0 m/s
Permissible sliding velocity v max.	2.5 m/s
Coefficient of friction μ min.	0.02
Coefficient of friction μ max.	0.2
Mass bushing	0.0066 kg