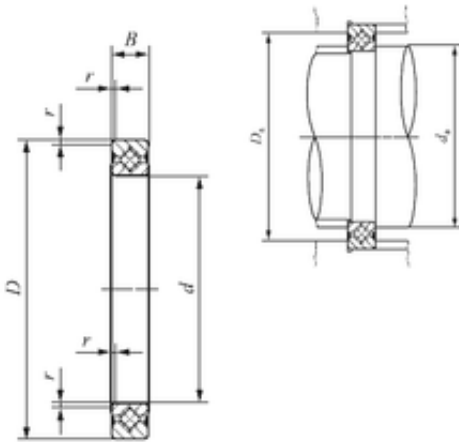




NTK BEARING PRECISION AXLE CORP.

190 mm x 216 mm x 13 mm IKO CRBS 19013 A UU thrust roller bearings

Bearing No. CRBS 19013 A UU



CRBS 19013 A UU Bearing 2D drawings and 3D CAD models

Size	190x216x13 mm
Bore Diameter	190 mm
Outer Diameter	216 mm
Width	13 mm
d	190 mm
D	216 mm
B	13 mm
r min.	0.6 mm
Da	209 mm
da	196 mm
Weight	0,74 Kg
Basic dynamic load rating (C)	22,9 kN