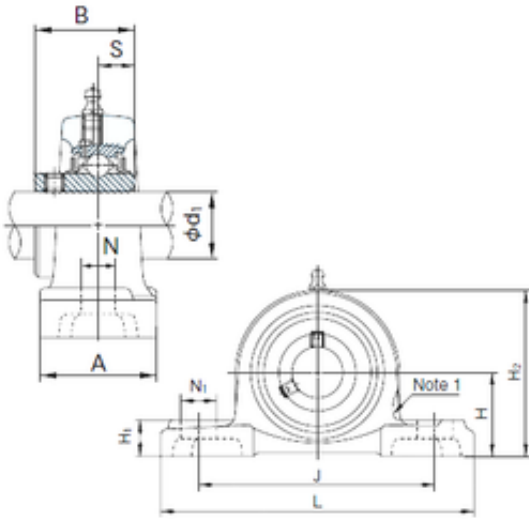




# NTK BEARING PRECISION AXLE CORP.



UCP208 Bearing 2D drawings and 3D CAD models

NTN/NSK/SKF/Timken/NACHI Ball  
 Bearing/Pillow Block Bearing UCP208  
 UCP209 UCP210 UCP211 UCP212

Bearing No. UCP208

Bore Diameter	40 mm
Width	49.2 mm
d	40 mm
A	54 mm
B	49.2 mm
H	49.2 mm
H1	19 mm
H2	100 mm
J	137 mm
L	184 mm
N	17 mm
N1	25 mm
S	19 mm
Bolt (G)	M14
Category	Bearings
Inventory	0.0
Manufacturer Name	NACHI
Minimum Buy Quantity	N/A
Weight / Kilogram	0
Product Group	M06110